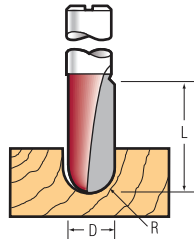


# Guttering & Cove Cutters

## TCT Half Round with Bearing

Single flute half round cutters used for applications such as chalk grooves in desk tops etc. \*=solid insert.



**HRC3**

n.max  
24,000



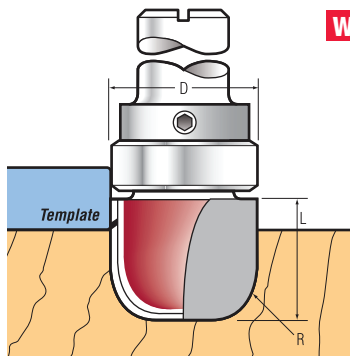
Order Ref. No.	Cut Dia.mm	Lmm	Rmm	Shank			
				6mm	1/4"	8mm	1/2"
HRC16*	3.2	9.5	1.6	-	£27.24	£27.24	-
HRC24	4.8	11	2.4	-	£29.51	-	-
HRC3	6	16	3	£30.80	£29.51	£30.80	-
HRC5	10	18	5	£33.17	£33.17	£33.17	£42.64
HRC63	12.7	18	6.3	-	£41.46	-	£42.64
HRC7	14	18	7	-	-	£41.46	£42.64

## TCT Water Channel with Bearing

These cutters are designed for trepanning large areas of timber, ie tenoning work, dish production on hardwoods.

Perfect for routing out waste to leave a raised effect on plaque mounts in timber.

Ideal cutters for producing timber bowls and scallop work.



**WCCB19**

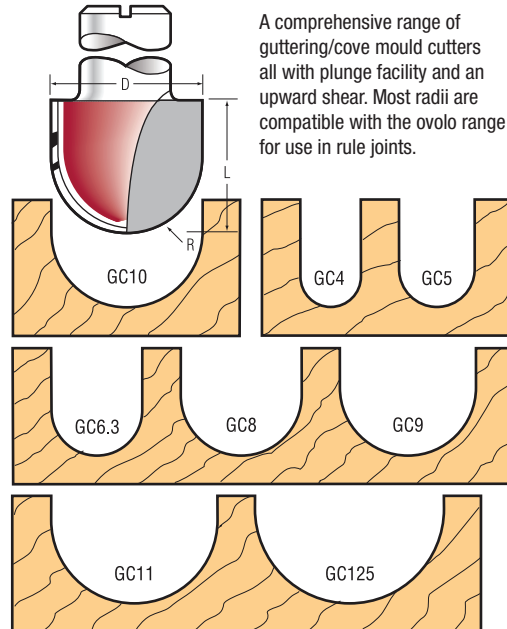
n.max  
24,000



Order Ref. No.	Dmm	Lmm	Rmm	Shank		
				1/4"	8mm	1/2"
WCCB127	12.7	12.7	3.2	£37.90	-	-
WCCB19	19	16	6.5	-	£60.41	£60.41
1/2-B127	Replacement steel bearing D=12.7mm			-	-	£8.29
3/4-B1912	Replacement steel bearing			-	-	£8.29
B19/8	Replacement steel bearing D=19mm			-	-	£9.48
SH635/11	Replacement Collar 11 x 5mm x 1/4" bore			-	-	£3.55
SH8/127	Replacement Collar 8mm x 12.7			-	-	£3.55
SH127/18	Replacement Collar 18 x 7mm x 1/2" bore			-	-	£3.55

## TCT Guttering Two Flute

A comprehensive range of guttering/cove mould cutters all with plunge facility and an upward shear. Most radii are compatible with the ovolo range for use in rule joints.



**GC10**

n.max  
16,000 to  
24,000

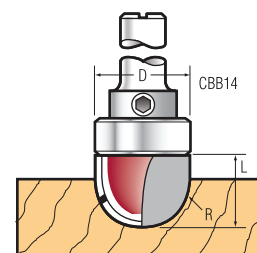


See Safe RPM Chart on page 3.

Order Ref. No.	Dmm	Lmm	Rmm	Shank				
				6mm	1/4"	8mm	12mm	1/2"
GC4	8	16	4	-	£31.98	£31.98	-	£31.98
GC5	10	16	5	-	£33.17	£33.17	-	£33.17
GC63	12.7	17	6.3	-	£45.01	£45.01	-	£45.01
GC8	16	18	8	£46.20	£46.20	£46.20	-	£46.20
GC9	18	18	9	£49.75	£49.75	£49.75	-	£49.75
GC95	19	18	9.5	-	£55.67	-	-	£55.67
GC10	20	18	10	-	£55.67	£55.67	-	£55.67
GC11	22	18	11	-	-	£61.59	-	£61.59
GC125	25	18	12.5	-	-	£58.04	£58.04	£58.04
GC15	30	18	15	-	-	-	£73.44	£73.44
GC20	40	32	20	-	-	-	£97.13	£97.13
GC254	50.8	32	25.4	-	-	-	£103.05	£103.05

## TCT Guttering Cutter with Bearing

With the shank mounted bearing this cutter can be used with a template rather than a side fence.



**CBB14**

n.max  
24,000



Order Ref. No.	Dmm	Lmm	Rmm	Shank	
				1/4"	8mm
CBB14	12.7	9.5	6.3	£31.98	-
1/2-B127	Replacement steel bearing D=12.7mm			-	£8.29
SH635/11	Replacement Collar 11 x 5mm x 1/4" bore			-	£3.55

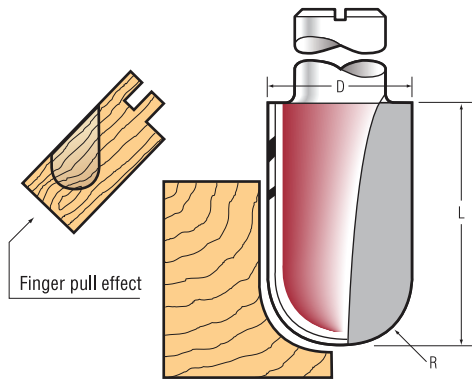
# Contact us

T: +44 (0)1255 220123

W: [www.titman.co.uk](http://www.titman.co.uk)

E: [sales@titman.co.uk](mailto:sales@titman.co.uk)

## TCT Shallow Finger Pull Two Flute



**WRC10**

n.max  
24,000

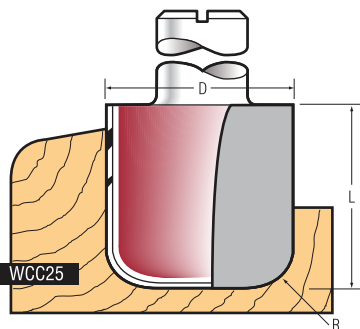


A further extension of the guttering cutter range with deeper cut for shallow finger pull applications. These sheared cutters have plunge facility.

This exceptionally versatile cutter will produce deep core box profiles and is popular for finger pull cutters on kitchen doors etc. Ideal for producing Solid Surface draining slots.

Order Ref. No.	Dmm	Lmm	Rmm	Shank	
				12mm	1/2"
WRC6	12	32	6	£85.28	£85.28
WRC8	16	32	8	£90.02	£90.02
WRC95	19	32	9.5	-	£95.94
WRC10	20	32	10	£95.94	£95.94
WRC11	22	32	11	-	£90.02
WRC125	25	32	12.5	£94.76	£94.76

## TCT Water Channel Heavy Duty



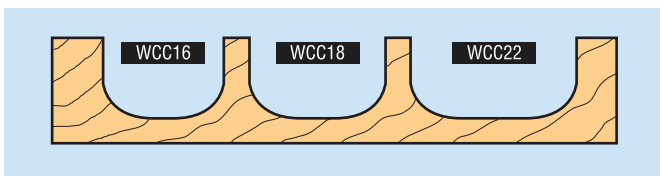
**WCC25**

n.max  
24,000

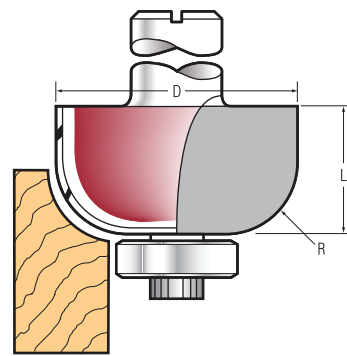


For window sections, designed to help displace water and moisture from window and door frames. These cutters have plunge facility.

Order Ref. No.	Dmm	Lmm	Rmm	Shank	
				8mm	12mm 1/2"
WCC16	16	25	5	-	£49.75
WCC18	18	25	5	£49.75	£49.75
WCC22	22	25	5	-	£54.49
WCC25	25	25	5	-	£61.59



## TCT Cove Mould 12.7 & 16mm Bearing



**CMC95**

n.max  
24,000



These cutters come complete with B127 and B16 Bearings.

Matching rounding over cutters available.

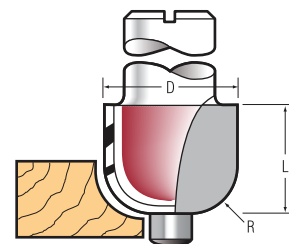
When possible use 1/2 inch diameter shanks on shaped cutters with bearings. This helps prevent cutter deflection when used on portable machines to give a more stable cut.

Order Ref. No.	Dmm	Lmm	Rmm	Shank			
				1/4"	8mm	12mm	1/2"
CMC2	16.7	12.7	2	£31.98	£31.98	-	-
CMC3	18.7	12.7	3	£40.27	£40.27	-	£40.27
CMC4	20.7	12.7	4	£43.83	£43.83	-	-
CMC5	22.7	12.7	5	£43.83	£43.83	-	£43.83
CMC63	25	12.7	6.3	£53.30	£53.30	-	-
CMC8	28	16	8	-	£60.41	-	-
CMC95	32	16	9.5	£66.33	£66.33	-	£66.33
CMC127	38.2	19	12.7	£81.73	£81.73	-	£81.73
CMC916	40.6	21	14.29	-	-	-	£87.65
CMC16	44.7	22	16	-	-	£93.58	£93.58
CMC19	50.7	25	19	-	-	£103.05	£103.05
B127-1/2	Replacement steel bearing D=12.7mm			-	-	-	£8.29
B16-5/8	Replacement steel bearing D=16mm			-	-	-	£9.48
Fast-1	M4 x 6 cap head screw			-	-	-	£3.55
Fast-5	M4 Washer			-	-	-	£3.55

## TCT Cove with Guide Pin

Ideal for producing small planted mouldings on door frames or picture frames. Also for internal moulding work, the small diameter pin allows right angle profiling to be carried out successfully.

TCT pin diameter 5.5mm.



**CCP14**

n.max  
24,000



Order Ref. No.	Dmm	Lmm	Rmm	Shank			
				6mm	1/4"	8mm	12mm 1/2"
CCP316	14.4	12.8	4.8	£39.09	£39.09	£39.09	£39.09
CCP14	17.6	14.4	6.3	£42.64	£42.64	£42.64	£42.64
CCP38	23.8	17.5	9.5	£45.01	£45.01	£45.01	£45.01
CCP127	30.9	21.7	12.7	-	£53.30	-	£53.30