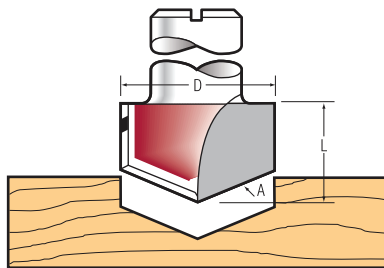


Grooving & Engraving

TCT 'V' Grooving



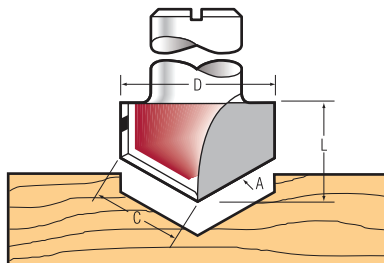
VGC225

n.max
24,000



Ideal for veining work, freehand decor for panels and useful for character lining work on signwriting applications in solid timbers. VGC225 ideal for making 45 degree fold joints. VGC60SF is suitable for folding joints as it cuts to a perfect 'V'.

Order Ref. No.	Dmm	Lmm	A	Shank			
				1/4"	8mm	12mm	1/2"
VGC225	25	12	22.5°	£34.35	£34.35	£34.35	£34.35

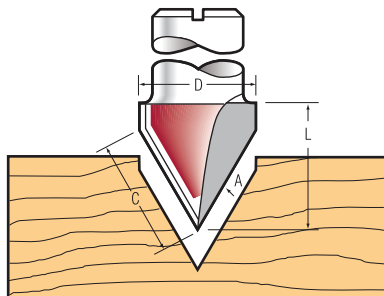


VGC30

n.max
24,000



Order Ref. No.	Dmm	Lmm	Cmm	A	Shank				
					6mm	1/4"	8mm	12mm	1/2"
VGC30	21.5	12	12	30°	£34.35	£34.35	£34.35	£34.35	£34.35



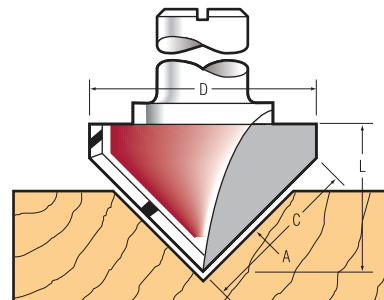
VGC60

n.max
24,000



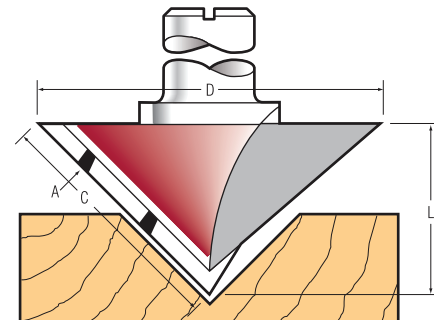
Order Ref. No.	Dmm	Lmm	Cmm	A	Shank				
					6mm	1/4"	8mm	12mm	1/2"
VGC60	15.75	16	14	60°	£27.24	£27.24	£27.24	£27.24	£27.24
VGC60L	23	20	18	60°	-	-	£40.27	£40.27	-
VGC60SF	26	21	32	60°	-	£65.15	-	£65.15	£65.15
VGC675	15	23	18	67.5°	-	-	£35.54	£35.54	-

TCT 'V' Grooving - Large Section



VGC45L

n.max
18,000 to
24,000



VGC45SF

n.max
16,000 to
24,000

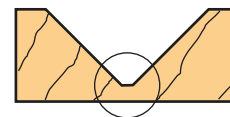


Can be used for chamfering or deep groove work. C refers to Bevel.

VGC45SF is suitable for all types of 'V' grooving including folding joints and cuts to a point. Do not resharpen on the front face - lightly regrind the cutter back relief only. Recommended for CNC controlled feed to avoid point breakage - see VGC-RT45 on page 137.

See Safe RPM Chart on page 3.

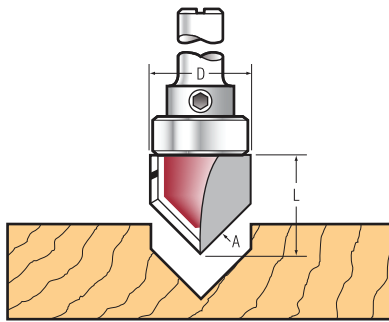
Order Ref. No.	Dmm	Lmm	Cmm	A	Shank				
					6mm	1/4"	8mm	12mm	1/2"
VGC45	18	14	13	45°	£27.24	£27.24	£27.24	£27.24	£27.24
VGC45SF	44	21	32	45°	-	£65.15	-	£65.15	£65.15
VGC45L	30	19	20	45°	-	£55.67	£55.67	£55.67	£55.67
VGC45LK	38	23	25	45°	-	-	-	£58.04	£58.04
VGC45EL	51	31	35	45°	-	-	-	£103.05	£103.05



Please note: Because of clearances required to allow these products to cut on its point a flat is produced in the bottom of the groove. Width of flat approx 1mm. Only VGC45SF and VGC60SF cut to a point.

TCT 'V' Grooving with Bearing

Bearing allows for middle V-grooving using a template.



VGCB45

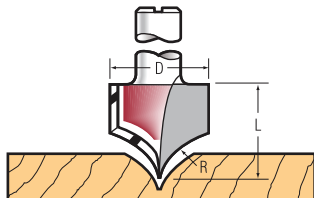
n.max
24,000



Order Ref. No.	Dmm	Lmm	A	Shank	
				1/4"	1/2"
VGCB45	12.7	12.5	45°	£30.80	-
VGCB45-19	19	16	45°	-	£42.64
VGCB60-127	12.7	16	60°	£34.35	-
1/2-B12	Replacement steel bearing D=12.7mm			£8.29	
3/4-B1912	Replacement steel bearing			£9.48	
SH635/11	Replacement Collar 18 x 7mm x 1/2" bore			£3.55	
SH127/18	Replacement Collar 18 x 7mm x 1/2" bore			£3.55	

TCT 'V' Grooving (EC)

Ideal for veining work, freehand decor for panels and useful for character lining work on signwriting applications in solid timbers.



EC4

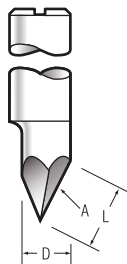
n.max
24,000



Order Ref. No.	Dmm	Lmm	Rmm	Shank			
				6mm	1/4"	8mm	12mm
EC4	13	9	4	£42.64	£42.64	£42.64	-
EC95	20	14.5	9.5	-	-	£49.75	-
EC14	26	12.8	14	-	-	-	£54.49

STC 'Nib' Engraving

Specially developed for engraving house names, bench plaques and other memorial inscriptions.



NIB1

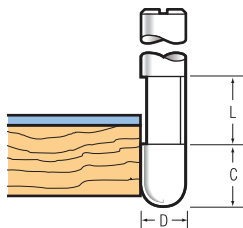
n.max
24,000



Order Ref. No.	Dmm	Lmm	A	Shank	
				8mm	1/4"
NIB1	8	6	60°	£29.61	-

STC Guide and Trim

Solid carbide cutters ideal for trimming thin sheet material - used as a guide trimmer. Perfect for intricate internal trimming.



GTC6

n.max
24,000



Order Ref. No.	Dmm	Lmm	A	Cmm	D*	Shank	
						6mm	1/4"
GTC6	6	9.5	90	6	-	£28.43	-
GTC14	-	9.5	90	6	1/4	£28.43	-
GTC14BEV	6.3	6	83	6	-	£23.69	-
GTC14SQU	6.3	6	90	3	-	£23.69	-

STC 'V Groove' Engraver

Specially developed for engraving house names, bench plaques and other memorial inscriptions.



VGC80

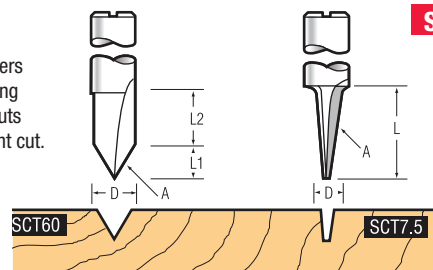
n.max
24,000



Order Ref. No.	Dmm	Lmm	A	Shank	
				8mm	1/2"
VGC80	8	22	80°	£45.01	-

STC Combination Trimmer

A range of cutters useful for veining work. SCT60 cuts angle or straight cut.



SCT60/7.5

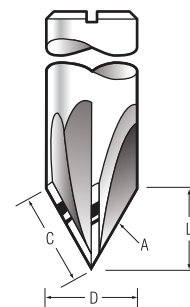
n.max
24,000



Order Ref. No.	Dmm	L1mm	L2mm	A	Shank	
					3mm	1/4"
SCE45	3	3	-	45°	£23.69	-
SCT45	6.3	3.2	6.3	45° and 90°	-	£23.69
SCT60	6.35	5 + 5	-	60° and 90°	-	£26.06
SCT7.5	6.3	12	-	7.5°	-	£27.24

STC Three Fluted Engraver

Three flute 60 degree engraver. An ideal cutter for long production engraving work.



SCT127

n.max
24,000



Order Ref. No.	Dmm	Cmm	L1mm	OLmm	A	Shank	
						1/4"	1/2"
SCT127	12.7	15	12	50	60	£52.12	£52.12

Dibond/Alucobond cutters



ACMFT90

Order Ref. No.	Dia	Loc	Inc.A	A	Shank	
					1/4"	1/2"
ACMFT45	18	13	135°	67.5°	£43.05	-
ACMFT90	13	10	90°	45°	£39.09	-

■ New Product