

T-Slot & Ball Slots

TCT Ball Groover Single Flute

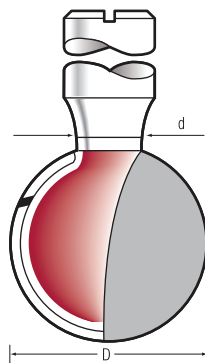
A range of single flute ball slot cutters designed for pipe and cable laying into timber and MDF.

Important - cut neck slot first, do not run on neck but use a side fence or guide.

NB The neck does not cut.

Suggested cutters for neck slot:

M716 for TSB127 neck diameter 6.5mm; M1020 for TSB254 neck diameter 9.5mm; M1325 for TSB32 neck diameter 12.7mm



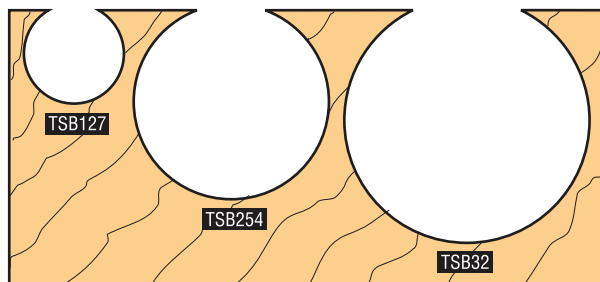
TSB254

n.max
18,000 to
24,000

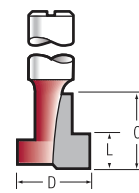
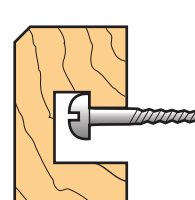


Order Ref. No.	Dmm	6mm	1/4"	Shank 8mm	12mm	1/2"
TSB5	5	£61.59	-	-	-	-
TSB12	12	-	£47.38	-	-	-
TSB127	12.7	-	-	£47.38	-	£47.38
TSB254	25.4	-	-	-	£59.23	£59.23
TSB32	32	-	-	-	£78.45	£78.45

■ New Product



TCT Keyhole Slotter Single Flute



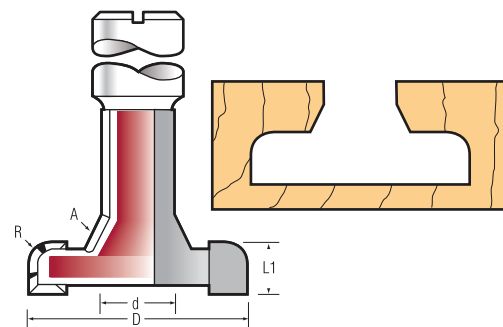
KHC95

n.max
24,000



Order Ref. No.	Dmm	Lmm	Cutting neck dia. mm	Cmm	6mm	Shank 1/4"	8mm
KHC95SF	9.5	4.5	4.5mm	10	£34.35	£34.35	-
KHC127	12.7	5	8mm	10	-	£39.09	£39.09

TCT Slat Wall Cutter



STS30

n.max
18,000



The ideal cutter for shorter production runs for slat walls. A relief cut is required before the main slot is routed, using an 11mm cutter.

Order Ref. No.	Dmm	dmm	Lmm	Rmm	A	Shank 1/2"
STS30	30	10.5	7	3	119°	£97.13
PCD STS30	30	10.5	7	3	119°	£229.00

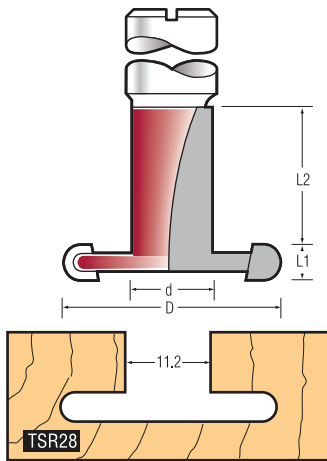
■ New Product

Spindle Tooling

A professional range of spindle tooling designed for the industrial user. Manufactured from the highest quality materials.



TCT T-Slot Radius



TSR28

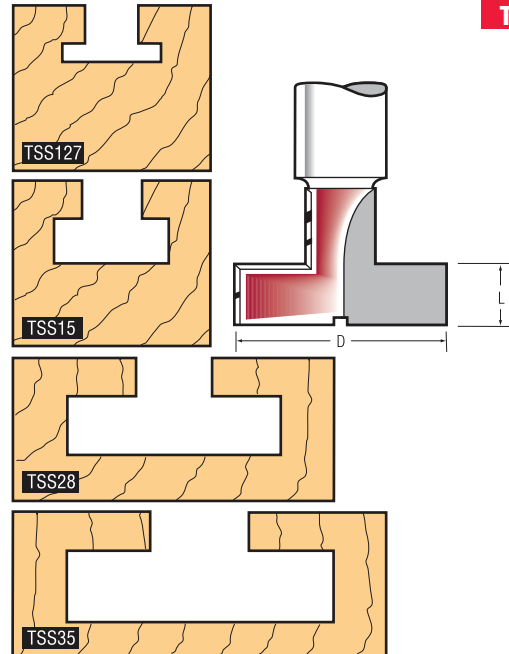
n.max
18,000 to
24,000



No slot is required. This range has neck cutting facility.

Order Ref. No.	Dmm	L1mm	L2mm	Rmm	Cutting neck dia. mm	Shank	
						12mm	1/2"
TSR28	28	4	19	2	11.2	£68.70	£68.70
TSR40	40.8	4	19	2	9.7	£71.07	£71.07

TCT T-Slot



TSS28

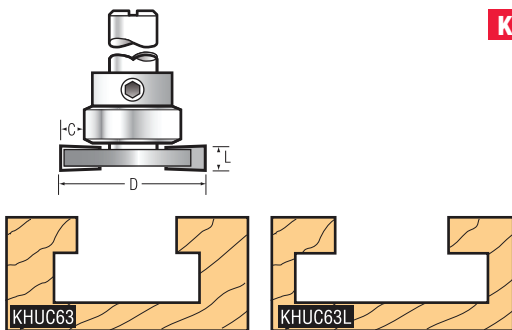
n.max
18,000 to
24,000



A range of T-Slot cutters used for shelving and display purposes. If sizes available aren't suitable - please submit a sketch to our technical department for quotation.

Order Ref. No.	Dmm	Lmm	Neck dia. mm	Neck length mm	8mm	Shank	
						12mm	1/2"
TSS127	12.7	2.5	7	7.5	£39.09	-	-
TSS15	15	6	8	8	£43.83	-	-
TSS28	28	8	9.5	18	£58.04	£58.04	£58.04
TSS35	35	9.5	12.7	18	-	£69.89	£69.89

TCT Undercut with Bearing



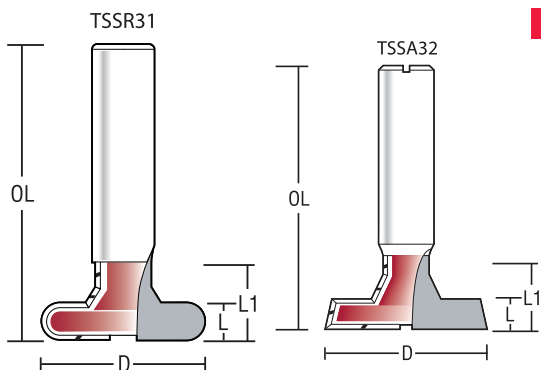
KHUC63

n.max
24,000

A range of cutters used to produce a recess on the underside of lettering.

Order Ref. No.	Dmm	Lmm	Cmm	Shank 1/4"
KHUC63L	25.4	6.3	6.35	£42.64
1/2-B127	Replacement steel bearing D=12.7mm			£8.29
SH635/11	Replacement Collar 11 x 5mm x 1/4" bore			£3.55

TCT T-Slot



TSSR31

n.max
18,000



Order Ref. No.	Dmm	dmm	Lmm	L1mm	Rmm	Shank	
						12mm	1/2"
TSSA32	32	9	9	15		£97.13	£97.13
TSSR31	31.5	10.8	7.3	15	3.6	£97.13	£97.13

New Product